

Item No.: myi0005 Verso (= Retrofit kit)

Telecom Behnke GmbH  
 Gewerbepark „An der Autobahn“  
 Robert-Jungk-Straße 3  
 66459 Kirkel  
 Germany

Tel.: +49 (0) 68 41 / 81 77-700  
 Fax.: +49 (0) 68 41 / 81 77-750



myi0005

### Features

The retrofit variant of myintercom One enables uncomplicated integration of the whole functional scope of myintercom in letterbox systems or existing panels. myintercom One Verso contains the camera with high-quality Axis Communications image sensor, a stainless steel call button with connection cable and standard loudspeaker and microphone for back-gluing in existing sound passage openings. Optionally, a loudspeaker and microphone suitable for the Renz anti-vandalism systems RSA and RSA2 can also be purchased.

myintercom One Verso is extremely easy to install: A cut-out with diameter 55 mm is merely cut or punched into the existing panel (letterbox system or similar). The camera is positioned behind the cut-out and is held in place by the camera fastening ring. The stainless steel ring conceals the screw fittings. Thanks to this type of installation, no unattractive screw fittings are visible and no additional bolts are required.

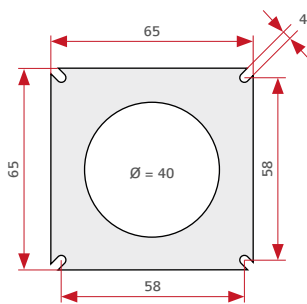


Letterbox wall

The retrofit variant of myintercom One offers the complete functional scope

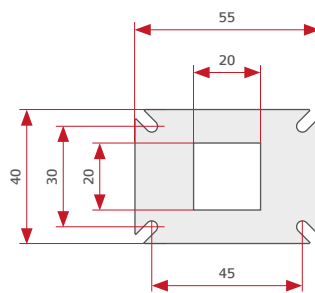
- Doorbell is signalled to the smartphone or tablet (sound and push message)
- The camera provides a crystal-clear live image
- Two-way communication in excellent sound quality
- Door opening and light with the touch of a fingertip
- History of the last 20 visitors (image, date and time)
- Optionally a door chime and push button for easy release of the door opener can be connected from the inside

#### Loudspeaker



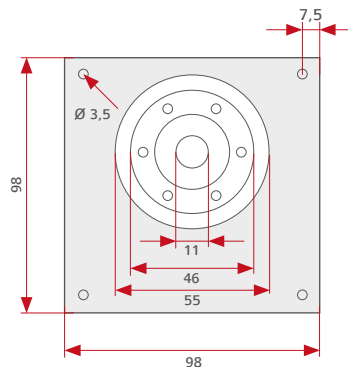
mounting depth: 26 mm

#### Microphone



mounting depth: 24 mm

#### Front



#### Side

