

Item No.: myi0006 Cam1 (= Additional camera) with myintercom software

Telecom Behnke GmbH
 Gewerbepark „An der Autobahn“
 Robert-Jungk-Straße 3
 66459 Kirkel
 Germany

Tel.: +49 (0) 68 41 / 81 77-700
 Fax.: +49 (0) 68 41 / 81 77-750



myi0006

Axis M3113-VE

Features

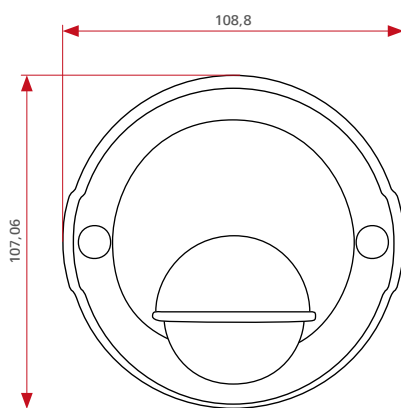
The myintercom Cam1 is additionally used for increased security requirements. It is installed in a place which is hard to reach, for example on the ceiling or wall, and can be configured in the app as a second camera for the myintercom door intercom. In this way a camera image is visible even if the integrated camera of the door intercom is covered up or if the visitor is standing outside its field of view.

In the app you can switch between the integrated camera and the myintercom Cam1 with the touch of a fingertip.

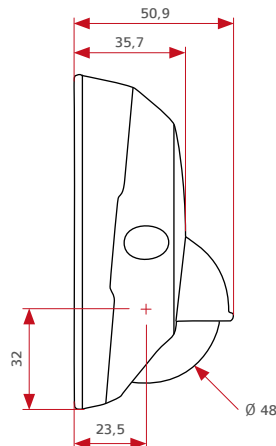
- Additional camera with permanently installed dome
- High-quality image sensor
- Flat, discreet design
- Quick and reliable installation
- Mounting: difficult to reach on the wall or ceiling, indoors or outdoors
- Weather protection: UV-resistant housing
- Lens: 2,9 mm, 66° view, F2,0
- Minimum illumination: 1,0 Lux, F2,0
- Camera angle adjustment: Pan ± 30°, tilt 0-90°, rotation ± 180°
- Casing: IP66-, IP67- and NEMAX 4x, IK08 impact-resistant aluminum and poly-carbonate casing; dehumidifying membrane; captive screws
- Connectors: RJ-45 10BASE-T/100BASE-TX
- Operating conditions: -25 °C bis 50 °C, Humidity 15-100 % (condensing)
- Weight: 250 g
- Power: Power over Ethernet IEEE 802.3af Class 1, max. 3.2 W



Front



Side



Back

