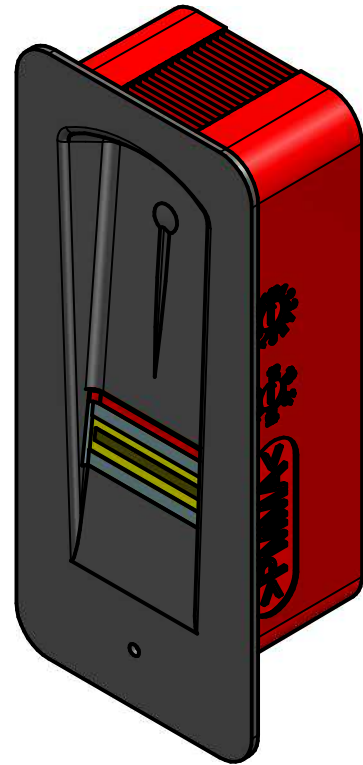
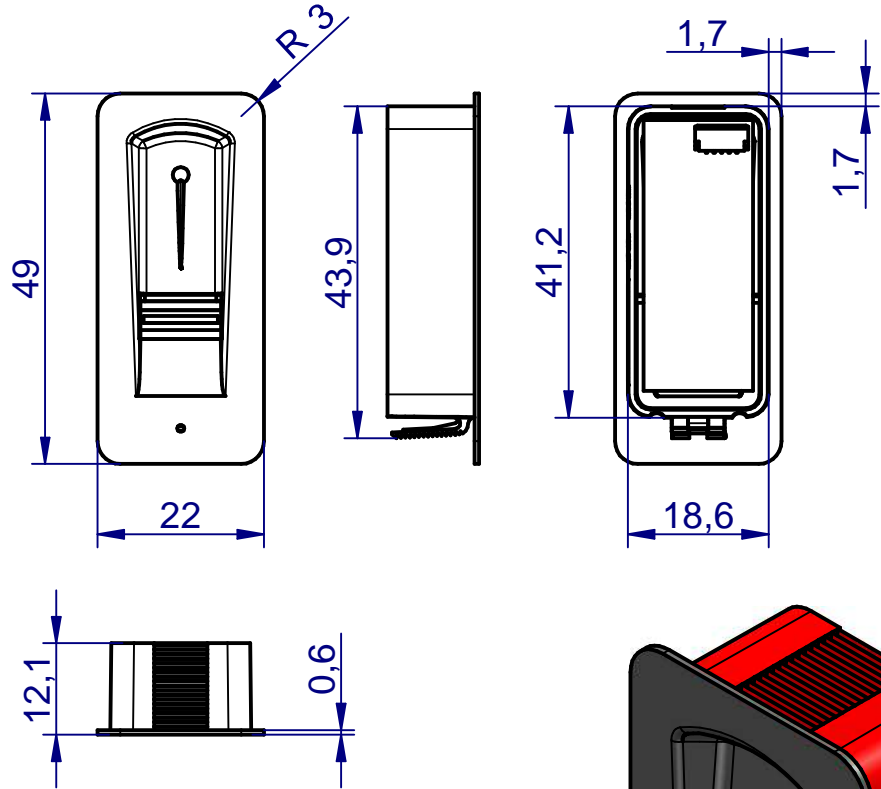

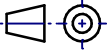


Registration unit

Erfassungseinheit



				general tolerance ISO 2768-mK toleration acc. to ISO 8015	edge ISO 13715 	Scale: 1:1	Weight: 0,000 kg
						Material:	
Revision				Date	Name	Title: Dimensioned drawing Maßzeichnung ekey FS arte 49x22 glue type ekey FS arte 49x22 Klebevariante	
			Drawn	13.10.2015	P. Holzer		
			Check	14.10.2015	G. Peham		
			Rel.	19.11.2015	PM		
				Project:		Drawing No.:	Sheet: 1 of: 1 Size: A4
01	initial version	19.11.2015	P. Holzer				
Rev.	Description	Date	Author				